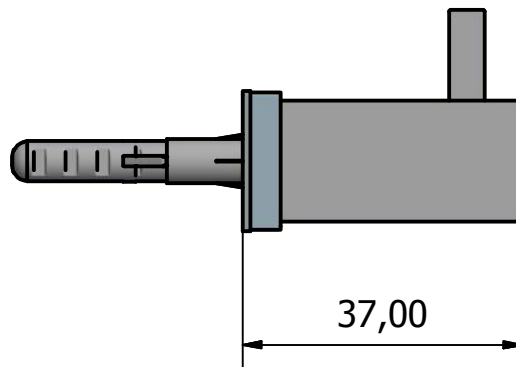
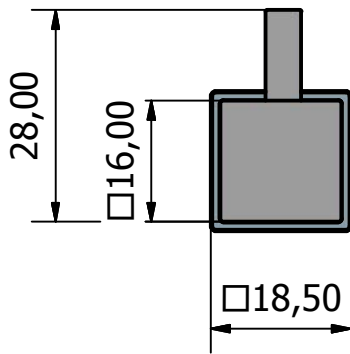
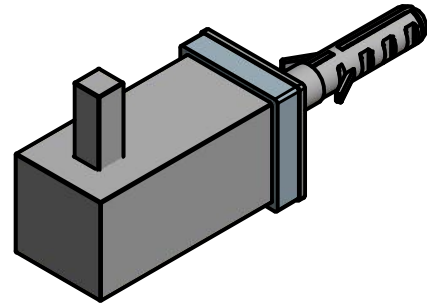


REV	DESCRIPTION	DATE	APPR.
1		2011-02-01	



This document must not be copied without our written permission, and the content thereof must not be imparted to a third party nor be used for any unauthorized purpose. Contravention will be prosecuted.

Material			Surface		Edge treatment				
Generic									
Designed by	Checked by	Approved by	Appr. Date	General tolerance	Weight	Projection	Scale		
PKP				ISO 2768 m	N/A		1 : 1		
ICONIC NORDIC ROOMS			INR				Title/Name		Sheet size
							Drawing no/Article no		Rev.
		MARK_krok		1	1 / 1				