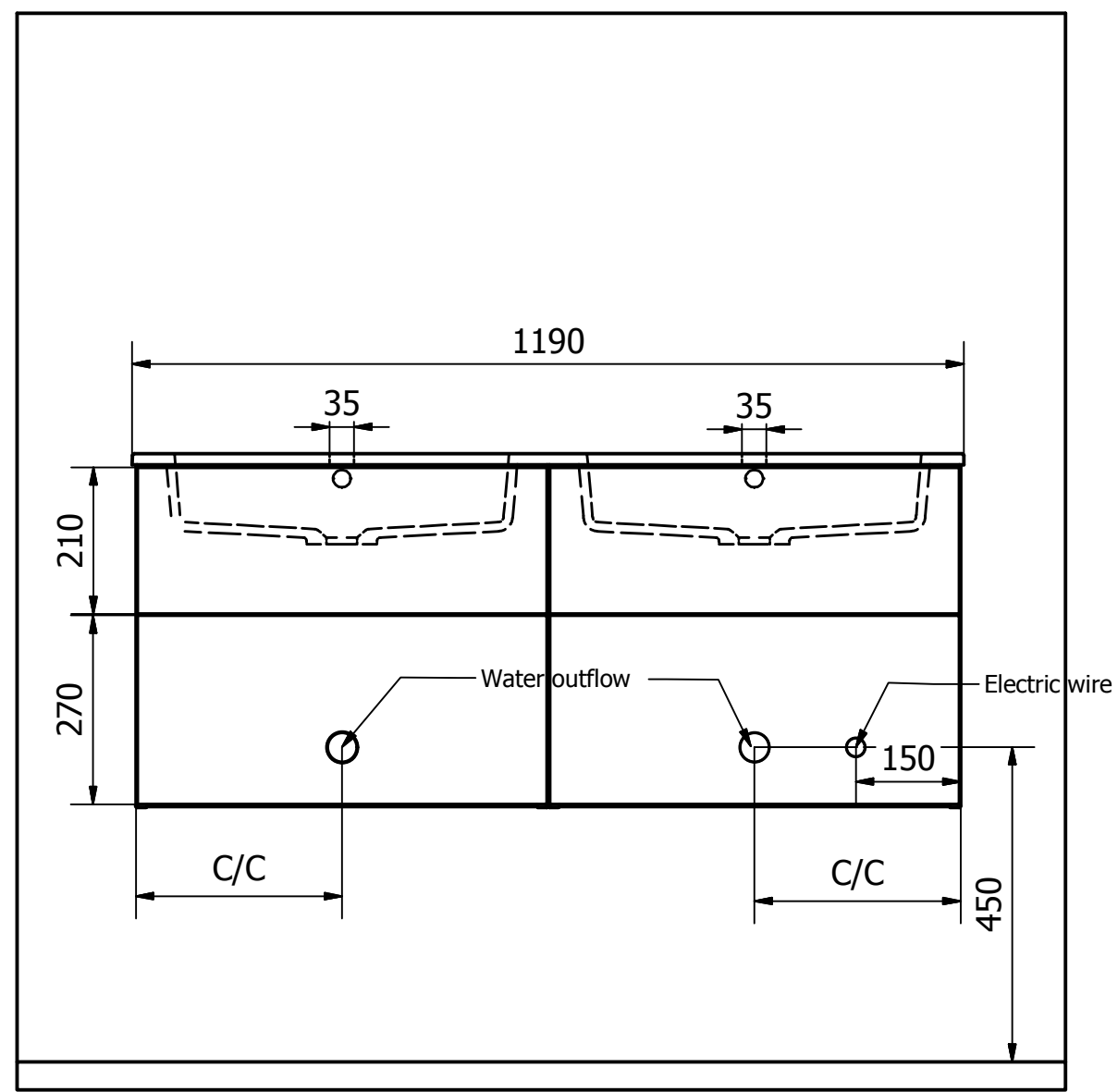
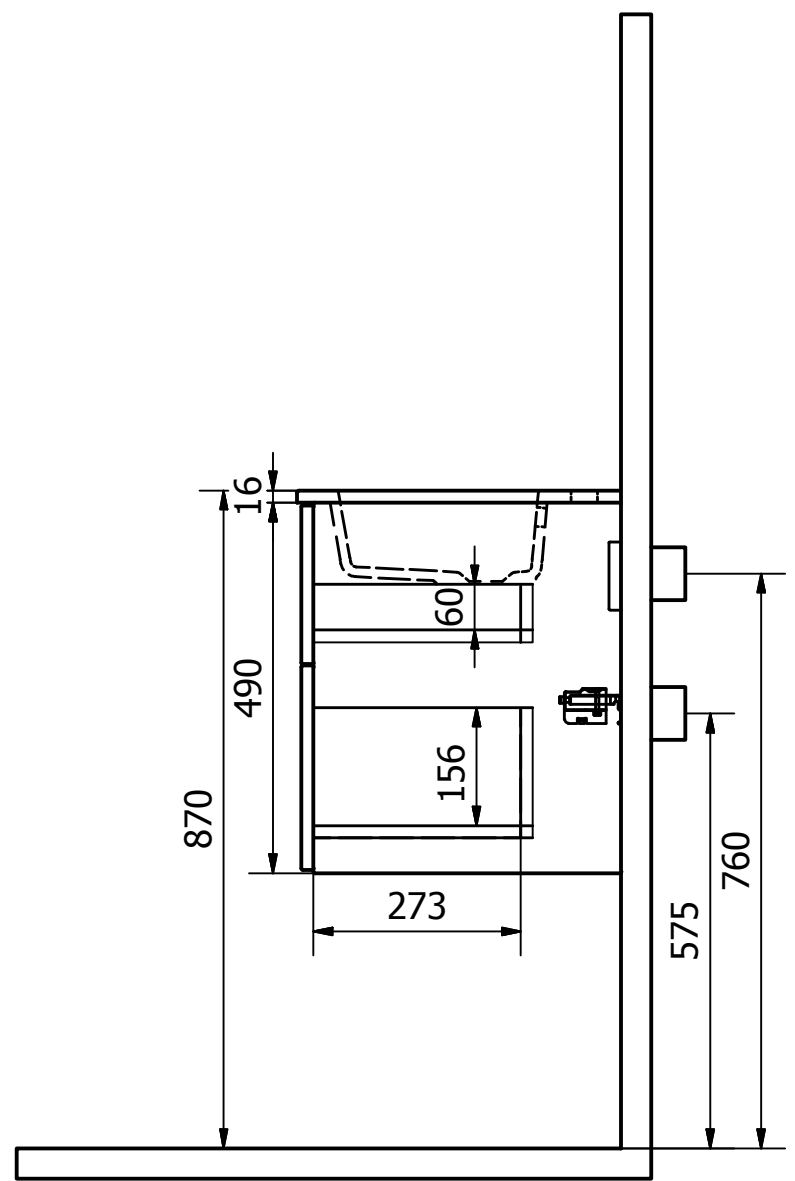


This document must not be copied without our written permission and the contents thereof must not be imparted to a third party nor be used for any unauthorized purpose. Contravention will be prosecuted.



Material According to agreed specifications				A-surface -----	B-surface	
Designed by KON	Checked by	Approved by	Appr. Date	General tolerance ISO 2768 c	Weight N/A	Projection Scale 1:10
ICONIC NORDIC ROOMS			INR		Title/Name Viskan_Stenkomposit_1200D	
Drawing no/Article no				Rev.	Sheet size	
Instalationsmet				1	A3	
					Sheet 2 / 2	