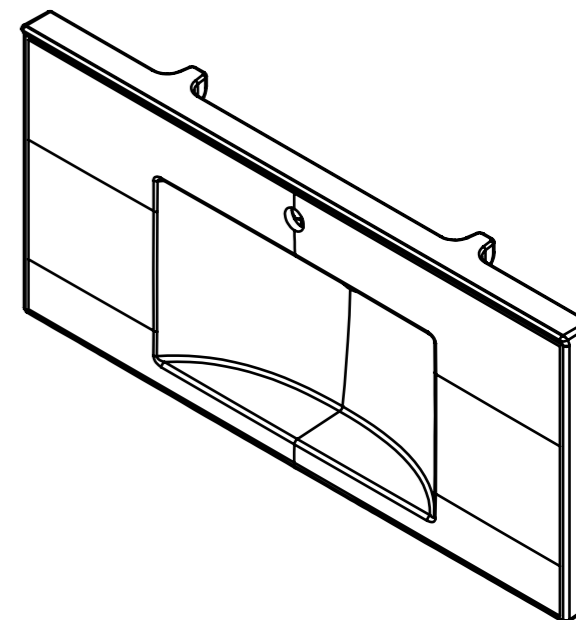
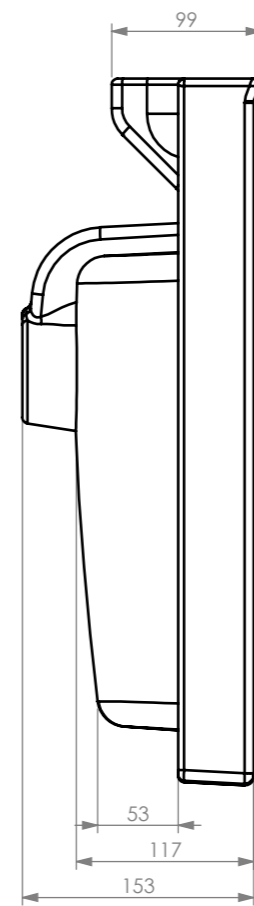
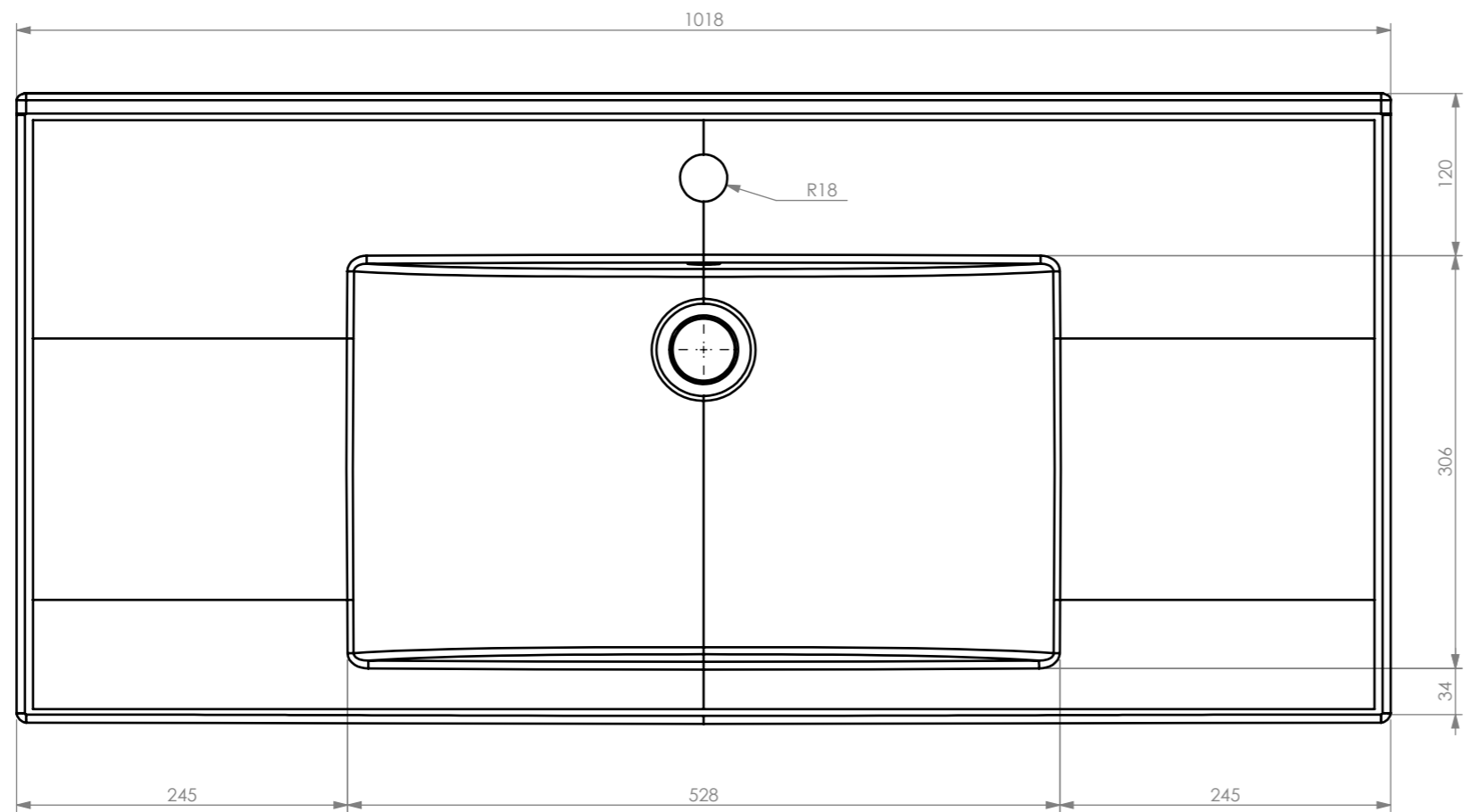
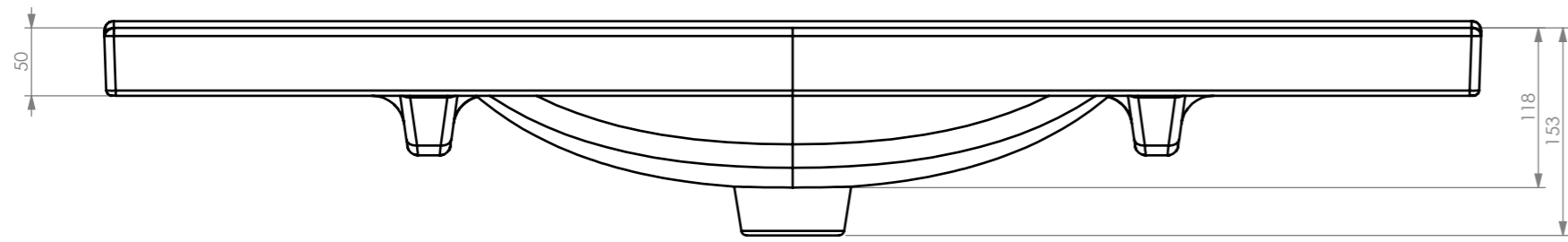


This document must not be copied without our written permission, and the contents thereof must not be imparted to a third party nor be used for any unauthorized purpose. Contravention will be prosecuted.



Material			Surface		Edge treatment			
Material <not specified>								
Designed by	Checked by	Approved by	Date	General tolerance	Weight	Projection	Scale	
HG			2013-10-11		12395.04kg		1:5	
<b>ASPEN</b>			Title/Name				Sheet size	
			Viskan 100				A3	
www.aspenbad.se www.aspenbad.no www.aspenbad.dk			Hedenstorsvägen 15 SE-553 16 Jönköping Tel +46(0)36 - 31 16 50 Fax +46(0)36 - 15 02 06			Rev.	Sheet	
			Drawing no/Article no			1/1		
			XXXX					