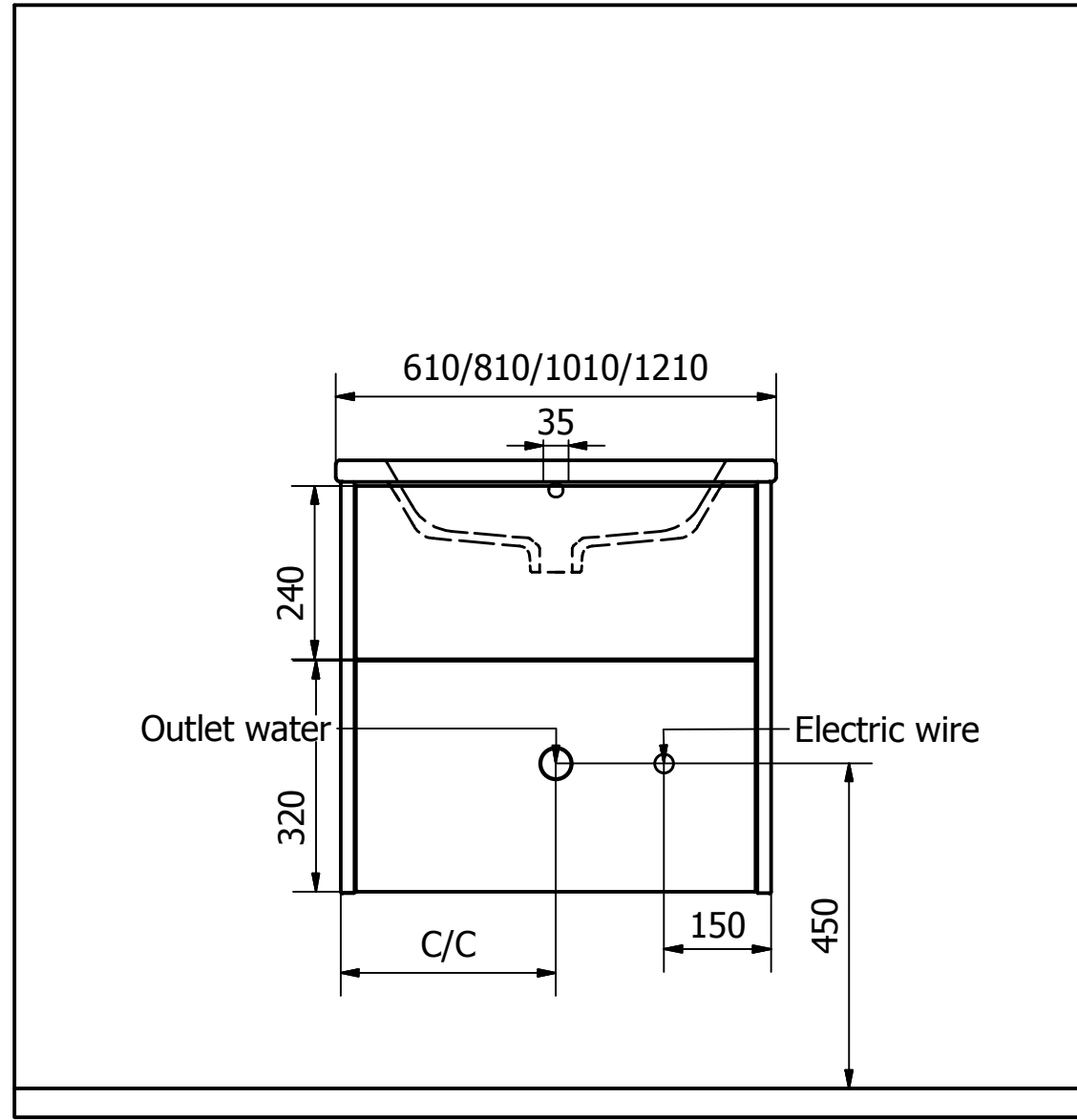
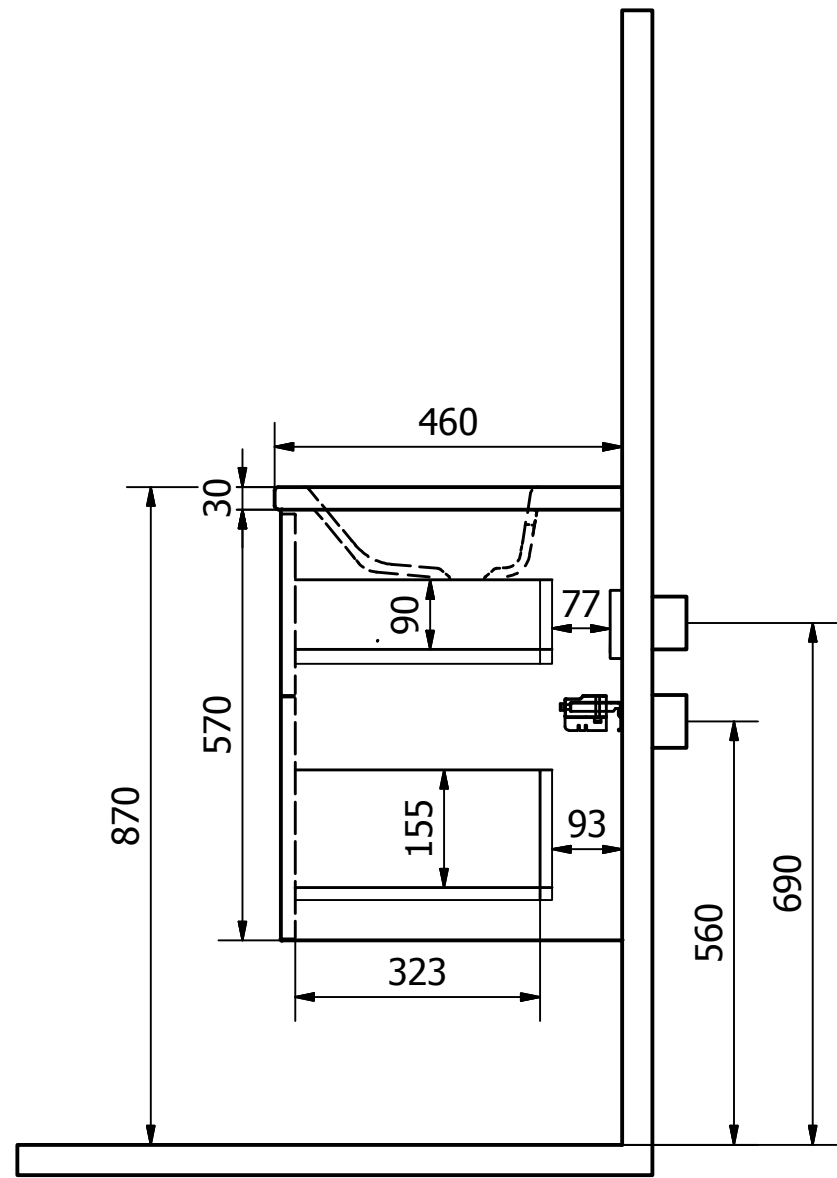


GRAND Porcelain



Material According to agreed specifications				A-surface -----		B-surface	
Designed by KON	Checked by	Approved by	Appr. Date	General tolerance ISO 2768 c	Weight N/A	Projection 0,10 : 1	Scale A3
ICONIC NORDIC ROOMS			INR		Title/Name Installationsmått_Grand_Porslin		Sheet size A3
Drawing no/Article no						Rev. 1	Sheet 2 / 2

This document must not be copied without our written permission and the contents thereof must not be imparted to a third party nor be used for any unauthorized purpose. Contravention will be prosecuted.